

4KMiniFixed Bullet Network Camera

IPC2128SR3-DPF40(60)



Key Features



Optics

- Day/night functionality
- SmartIR, up to 30m (98ft) IR distance
- Optical glass window with higher light transmittance
- IR anti-reflection window to increase the infrared transmittance
- 2D/3D DNR (Digital Noise Reduction)
- Up to 120dB WDR (Wide Dynamic Range)

Compression

- Ultra 265, H.265, H.264, MJPEG
- Triple streams
- 9:16 corridor format

Network

- ONVIF Conformance

Structure

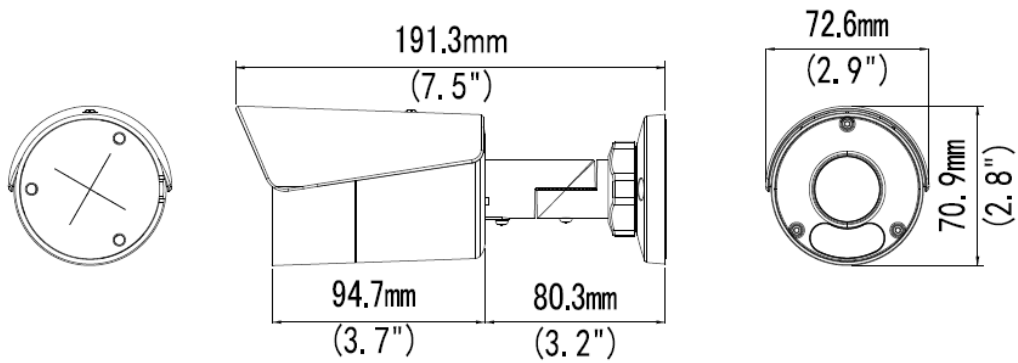
- Wide temperature range: -30°C ~ 60°C (-22°F ~ 140°F)
- Wide voltage range of ±25%
- IP67
- 3-Axis

Specifications

	IPC2128SR3-DPF40	IPC2128SR3-DPF60			
Camera					
Sensor	1/2.5", 8.0 megapixel, progressive scan, CMOS				
Lens	4.0mm@F2.0		6.0mm@F2.0		
DORI Distance	Lens (mm)	Detect(m)	Observe(m)	Recognize(m)	Identify(m)
	4.0	72	28.8	14.4	7.2
	6.0	108	43.2	21.6	10.8
Angle of View(H)	91.6°		54.2°		
Angle of view(V)	47.2°		32.5°		
Angle of view(O)	112.7°		66.7°		
Adjustment Range	Pan: 0°~360°		Tilt: 0° ~ 90°		Rotation: 0° ~ 360°
Shutter	Auto/Manual, 1~1/100000s				
Minimum Illumination	Colour: 0.05Lux (F2.0, AGC ON) 0Lux with IR on				
Day/Night	IR-cut filter with auto switch (ICR)				
S/N	>52dB				
IR Range	Up to 30m (98ft) IR range				
wavelength	850nm				
IR On/Off Control	Auto/Manual				
Defog	Digital Defog				
WDR	120dB				
Video					
Video Compression	Ultra 265,H.265, H.264, MJPEG				
H.264 code profile	Baseline profile, Main Profile, High Profile				
Frame Rate	Main Stream:8MP (3840*2160), Max 20fps; Sub Stream:1080P (1920*1080), Max 30fps; Third Stream:D1(720*576), Max30fps				
Video Bit Rate	128 Kbps~16 Mbps				
9:16 Corridor Mode	Supported				
OSD	Up to 8 OSDs				
Privacy Mask	Up to 8 areas				
ROI	Up to 8 areas				
Motion Detection	Up to 4 areas				

Image	
White Balance	Auto/Outdoor/Fine Tune/Sodium Lamp/Locked/Auto2
Digital noise reduction	2D/3D DNR
Smart IR	Support
Flip	Normal/Vertical/Horizontal/180°/90°Clockwise/90°Anti-clockwise
Dewarping	Support
HLC	Support
BLC	Support
Network	
Protocols	IPv4,IGMP,ICMP,ARP,TCP,UDP,DHCP, RTP,RTSP,RTCP,DNS,DDNS,NTP,FTP,UPnP,HTTP,HTTPS,SMTP, SSL,QoS
Compatible Integration	ONVIF(Profile S, Profile T), API
Client	EZStation EZView EZLive
Web Browser	Plug-in required live view: IE9+, Chrome 41 and below, Firefox 52 and below
	Plug-in free live view: Chrome 57.0+, Firefox 58.0+, Edge 16+, Safari 11+
Interface	
Network	1 RJ45 10M/100M Base-TX Ethernet
Certifications	
Certifications	CE: EN 60950-1 UL: UL60950-1 FCC: FCC Part 15
General	
Power	DC 12V±25%, PoE (IEEE 802.3af)
	Power consumption: Max 8W
Dimensions (L × W × H)	191.3×72.6×70.9mm (7.5"×2.9"×2.8")
Net Weight	0.5kg (1.1lb)
Material	Sun shield: plastic Front cover: plastic Body: metal Bracket: metal Bottom plate: metal
Working Environment	-30°C ~ 60°C (-22°F ~ 140°F), Humidity: ≤95% RH (non-condensing)
Storage Environment	-30°C ~ 60°C (-22°F ~ 140°F), Humidity: ≤95% RH (non-condensing)
surge protection	2KV
Ingress Protection	IP67

Dimensions



Accessories

TR-JB06-IN



TR-A01-IN



TR-JB05-B-IN



TR-UP06-C-IN



Junction Mount	
TR-JB06-IN+ TR-UP06-C-IN	TR-JB05-B-IN + TR-UP06-C-IN

Zhejiang Uniview Technologies Co., Ltd.

Building No.10, Wanlun Science Park, Jiangling Road 88, Binjiang District, Hangzhou, Zhejiang, China (310051)

Email: overseasbusiness@uniview.com; globalsupport@uniview.com

<http://www.uniview.com>

©2019 Zhejiang Uniview Technologies Co., Ltd. All rights reserved.

*Product specifications and availability are subject to change without notice.